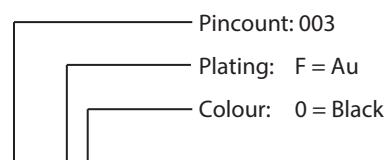
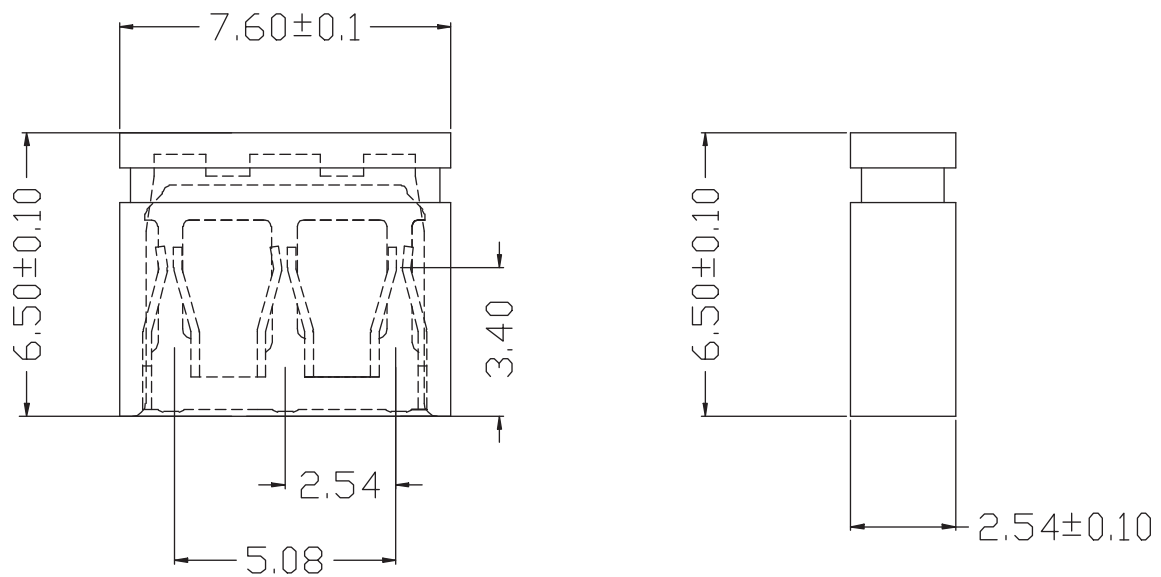


DATASHEET

**Technical data:**

Insulating material:	Thermoplast UL 94V-0
Colour:	Black
Contact material:	Copper Alloy
Plating:	Gold
Rated current:	3 Amp.
Dielectric voltage:	100 V _{AC} for one minute
Operating temperature:	-40°C to +105°C

Order code: **304-1-003-F0-BS**Part No.: **1203040007_**