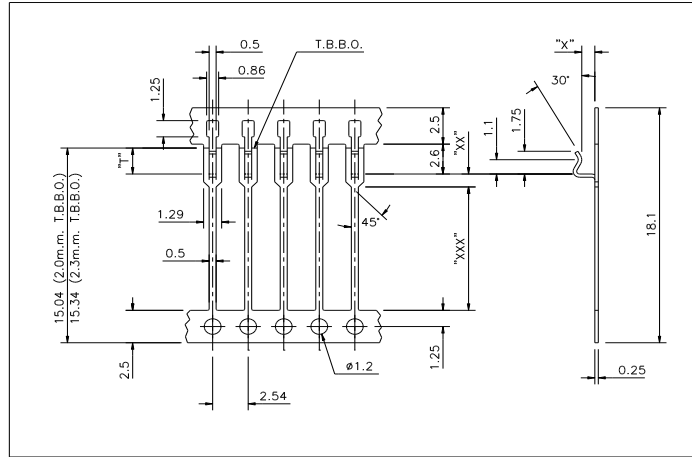


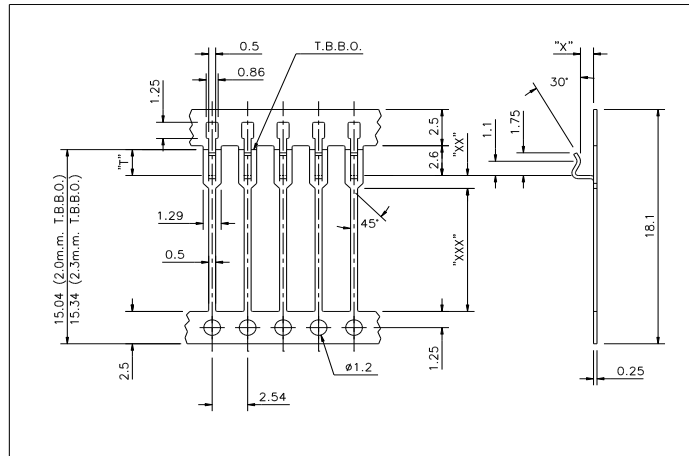
BA 4100 Series



All Dimensions in mm

Ordering Information						Technical Information						
Part Number	Top Bar Dim T	Bottom Bar Dim B	Plating Code	Qty per Reel	Wind Style	Material Thickness	Substrate Size	Gap Size Dim X	Stand Off Dim XX	Pin Length Dim XXX	Clip Length	MOQ
BA4100	2.00 (TA)	none (BZ)	1A / 4A	50K (F)	1 to 4	0.25	0.58-0.74	0.53	1.00	9.50	1.75	1 Reel
	2.30 (TJ)	none (BZ)	1A / 4A	50K (F)	1 to 4	0.25	0.58-0.74	0.53	1.00	9.50	1.75	1 Reel
BA4101	2.00 (TA)	none (BZ)	1A / 4A	40K (E)	1 to 4	0.25	0.75-0.90	0.70	1.00	9.50	1.75	1 Reel
	2.30 (TJ)	none (BZ)	1A / 4A	40K (E)	1 to 4	0.25	0.75-0.90	0.70	1.00	9.50	1.75	1 Reel
BA4102	2.00 (TA)	none (BZ)	1A / 4A	40K (E)	1 to 4	0.25	1.00-1.15	0.93	1.00	9.50	1.75	1 Reel
	2.30 (TJ)	none (BZ)	1A / 4A	40K (E)	1 to 4	0.25	1.00-1.15	0.93	1.00	9.50	1.75	1 Reel
BA4103	2.00 (TA)	none (BZ)	1A / 4A	40K (E)	1 to 4	0.25	1.24-1.40	1.18	1.00	9.50	1.75	1 Reel
	2.30 (TJ)	none (BZ)	1A / 4A	40K (E)	1 to 4	0.25	1.24-1.40	1.18	1.00	9.50	1.75	1 Reel
BA4104	2.00 (TA)	none (BZ)	1A / 4A	35K (D)	1 to 4	0.25	1.50-1.65	1.42	1.00	9.50	1.75	1 Reel

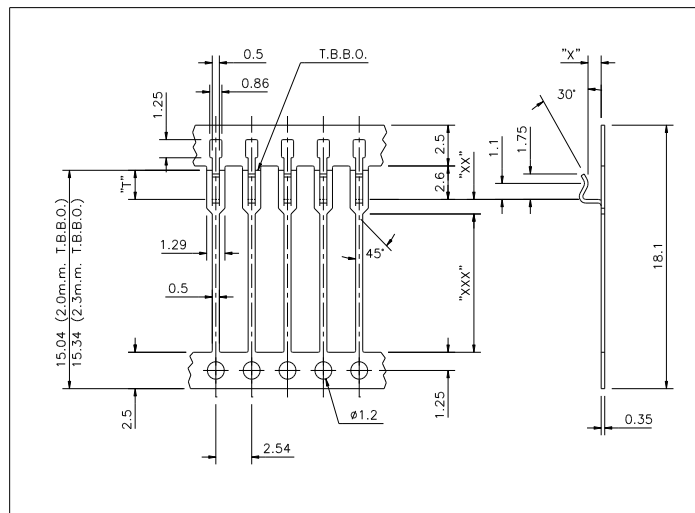
BA 4106 Series



All Dimensions in mm

Ordering Information						Technical Information						
Part Number	Top Bar Dim T	Bottom Bar Dim B	Plating Code	Qty per Reel	Wind Style	Material Thickness	Substrate Size	Gap Size Dim X	Stand Off Dim XX	Pin Length Dim XXX	Clip Length	MOQ
BA4106	2.00 (TA)	none (BZ)	1A / 4A	50K (F)	1 to 4	0.25	0.58-0.74	0.53	0.80	9.70	1.75	1 Reel
	2.30 (TJ)	none (BZ)	1A / 4A	50K (F)	1 to 4	0.25	0.58-0.74	0.53	0.80	9.70	1.75	1 Reel
BA4107	2.00 (TA)	none (BZ)	1A / 4A	40K (E)	1 to 4	0.25	0.75-0.90	0.70	0.80	9.70	1.75	480,000
	2.30 (TJ)	none (BZ)	1A / 4A	40K (E)	1 to 4	0.25	0.75-0.90	0.70	0.80	9.70	1.75	480,000
BA4108	2.00 (TA)	none (BZ)	1A / 4A	40K (E)	1 to 4	0.25	1.00-1.15	0.93	0.80	9.70	1.75	1 Reel
	2.30 (TJ)	none (BZ)	1A / 4A	40K (E)	1 to 4	0.25	1.00-1.15	0.93	0.80	9.70	1.75	1 Reel
BA4109	2.00 (TA)	none (BZ)	1A / 4A	40K (E)	1 to 4	0.25	1.24-1.40	1.18	0.80	9.70	1.75	480,000
	2.30 (TJ)	none (BZ)	1A / 4A	40K (E)	1 to 4	0.25	1.24-1.40	1.18	0.80	9.70	1.75	480,000

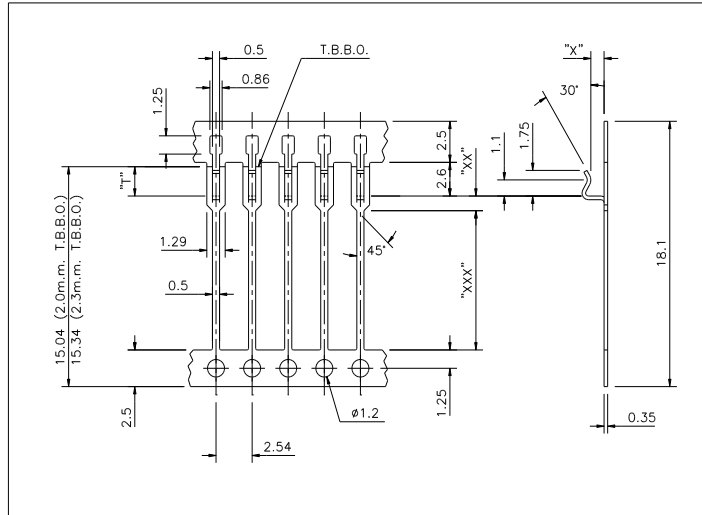
BA 4120 Series



All Dimensions in mm

Ordering Information						Technical Information						
Part Number	Top Bar Dim T	Bottom Bar Dim B	Plating Code	Qty per Reel	Wind Style	Material Thickness	Substrate Size	Gap Size Dim X	Stand Off Dim XX	Pin Length Dim XXX	Clip Length	MOQ
BA4120	2.00 (TA)	none (BZ)	1A / 4A	50K (F)	1 to 4	0.35	0.58-0.74	0.53	1.10	9.50	1.75	500,000
	2.30 (TJ)	none (BZ)	1A / 4A	50K (F)	1 to 4	0.35	0.58-0.74	0.53	1.10	9.50	1.75	500,000
BA4121	2.00 (TA)	none (BZ)	1A / 4A	40K (E)	1 to 4	0.35	0.75-0.90	0.70	1.10	9.50	1.75	480,000
	2.30 (TJ)	none (BZ)	1A / 4A	40K (E)	1 to 4	0.35	0.75-0.90	0.70	1.10	9.50	1.75	480,000
BA4122	2.00 (TA)	none (BZ)	1A / 4A	40K (E)	1 to 4	0.35	1.00-1.15	0.93	1.10	9.50	1.75	480,000
	2.30 (TJ)	none (BZ)	1A / 4A	40K (E)	1 to 4	0.35	1.00-1.15	0.93	1.10	9.50	1.75	480,000

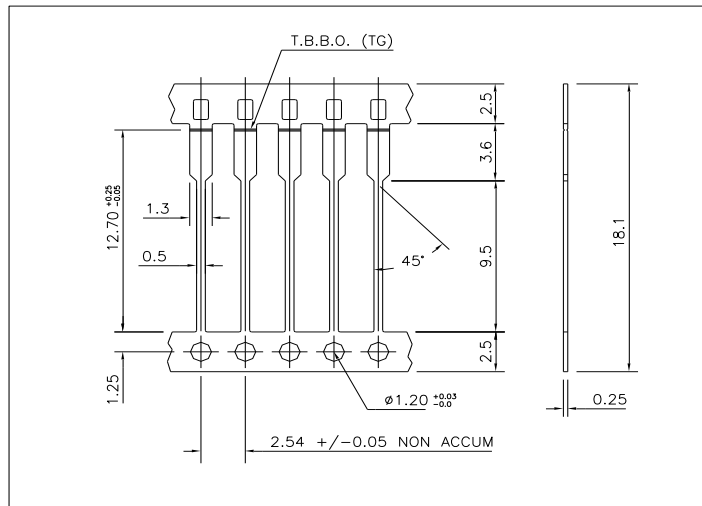
BA 4126 Series



All Dimensions in mm

Ordering Information						Technical Information						MOQ
Part Number	Top Bar Dim T	Bottom Bar Dim B	Plating Code	Qty per Reel	Wind Style	Material Thickness	Substrate Size	Gap Size Dim X	Stand Off Dim XX	Pin Length Dim XXX	Clip Length	
BA4126	2.00 (TA)	none (BZ)	1A / 4A	50K (F)	1 to 4	0.35	0.58-0.74	0.53	0.80	9.70	1.75	500,000
	2.30 (TJ)	none (BZ)	1A / 4A	50K (F)	1 to 4	0.35	0.58-0.74	0.53	0.80	9.70	1.75	500,000
BA4127	2.00 (TA)	none (BZ)	1A / 4A	40K (E)	1 to 4	0.35	0.75-0.90	0.70	0.80	9.70	1.75	480,000
	2.30 (TJ)	none (BZ)	1A / 4A	40K (E)	1 to 4	0.35	0.75-0.90	0.70	0.80	9.70	1.75	480,000
BA4128	2.00 (TA)	none (BZ)	1A / 4A	40K (E)	1 to 4	0.35	1.00-1.15	0.93	0.80	9.70	1.75	480,000
	2.30 (TJ)	none (BZ)	1A / 4A	40K (E)	1 to 4	0.35	1.00-1.15	0.93	0.80	9.70	1.75	480,000

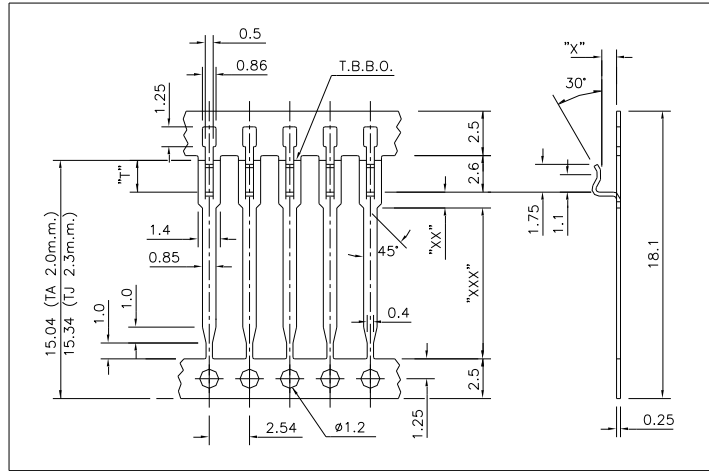
BA 4130 Series



All Dimensions in mm

Ordering Information						Technical Information						MOQ
Part Number	Top Bar Dim T	Bottom Bar Dim B	Plating Code	Qty per Reel	Wind Style	Material Thickness	Substrate Size	Gap Size Dim X	Stand Off Dim XX	Pin Length Dim XXX	Paddle Length	
BA4130	12.70 (TG)	none (BZ)	4A	100K (H)	1 or 2	0.25	N/A	N/A	N/A	9.50	2.80	500,000

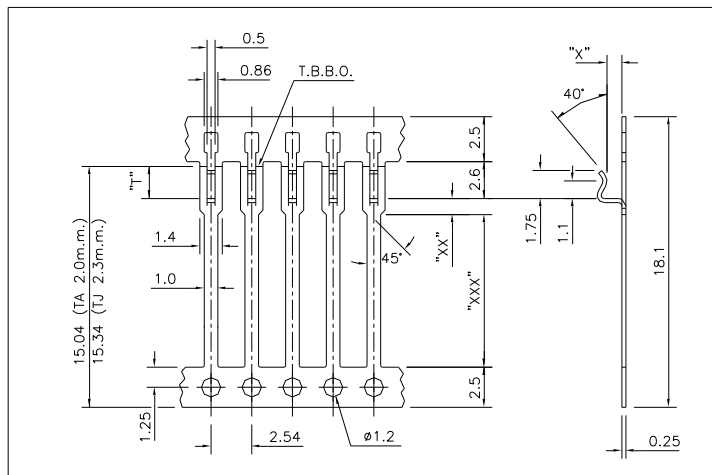
BA 4150 Series



All Dimensions in mm

Ordering Information						Technical Information						MOQ
Part Number	Top Bar Dim T	Bottom Bar Dim B	Plating Code	Qty per Reel	Wind Style	Material Thickness	Substrate Size	Gap Size Dim X	Stand Off Dim XX	Pin Length Dim XXX	Clip Length	
BA4150	2.00 (TA)	none (BZ)	1A / 4A	50K (F)	1 to 4	0.25	0.58-0.74	0.53	1.00	9.50	1.75	500,000
	2.30 (TJ)	none (BZ)	1A / 4A	50K (F)	1 to 4	0.25	0.58-0.74	0.53	1.00	9.50	1.75	500,000
BA4151	2.00 (TA)	none (BZ)	1A / 4A	40K (E)	1 to 4	0.25	0.75-0.90	0.70	1.00	9.50	1.75	480,000
	2.30 (TJ)	none (BZ)	1A / 4A	40K (E)	1 to 4	0.25	0.75-0.90	0.70	1.00	9.50	1.75	480,000
BA4152	2.00 (TA)	none (BZ)	1A / 4A	40K (E)	1 to 4	0.25	1.00-1.15	0.93	1.00	9.50	1.75	480,000
	2.30 (TJ)	none (BZ)	1A / 4A	40K (E)	1 to 4	0.25	1.00-1.15	0.93	1.00	9.50	1.75	480,000
BA4153	2.00 (TA)	none (BZ)	1A / 4A	40K (E)	1 to 4	0.25	1.24-1.40	1.18	1.00	9.50	1.75	480,000
	2.30 (TJ)	none (BZ)	1A / 4A	40K (E)	1 to 4	0.25	1.24-1.40	1.18	1.00	9.50	1.75	480,000

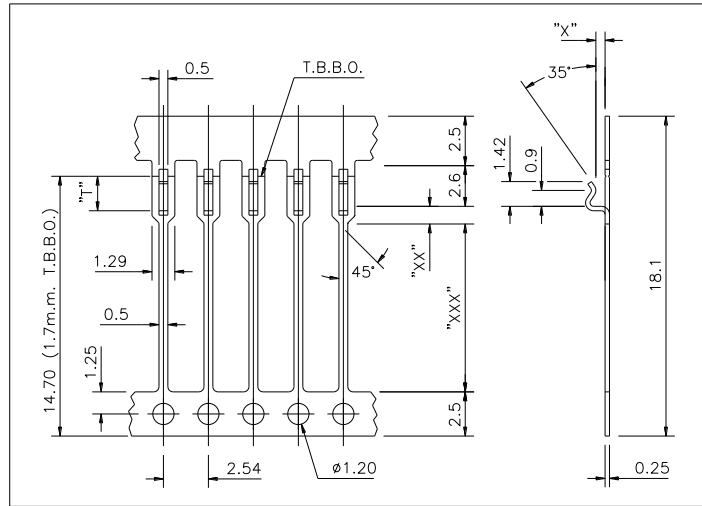
BA 4160 Series



All Dimensions in mm

Ordering Information						Technical Information						MOQ
Part Number	Top Bar Dim T	Bottom Bar Dim B	Plating Code	Qty per Reel	Wind Style	Material Thickness	Substrate Size	Gap Size Dim X	Stand Off Dim XX	Pin Length Dim XXX	Clip Length	
BA4160	2.00 (TA)	none (BZ)	1A / 4A	50K (F)	1 to 4	0.25	0.58-0.74	0.53	1.00	9.50	1.75	500,000
	2.30 (TJ)	none (BZ)	1A / 4A	50K (F)	1 to 4	0.25	0.58-0.74	0.53	1.00	9.50	1.75	500,000
BA4161	2.00 (TA)	none (BZ)	1A / 4A	40K (E)	1 to 4	0.25	0.75-0.90	0.70	1.00	9.50	1.75	480,000
	2.30 (TJ)	none (BZ)	1A / 4A	40K (E)	1 to 4	0.25	0.75-0.90	0.70	1.00	9.50	1.75	480,000
BA4162	2.00 (TA)	none (BZ)	1A / 4A	40K (E)	1 to 4	0.25	1.00-1.15	0.93	1.00	9.50	1.75	480,000
	2.30 (TJ)	none (BZ)	1A / 4A	40K (E)	1 to 4	0.25	1.00-1.15	0.93	1.00	9.50	1.75	480,000
BA4163	2.00 (TA)	none (BZ)	1A / 4A	40K (E)	1 to 4	0.25	1.24-1.40	1.18	1.00	9.50	1.75	480,000
	2.30 (TJ)	none (BZ)	1A / 4A	40K (E)	1 to 4	0.25	1.24-1.40	1.18	1.00	9.50	1.75	480,000

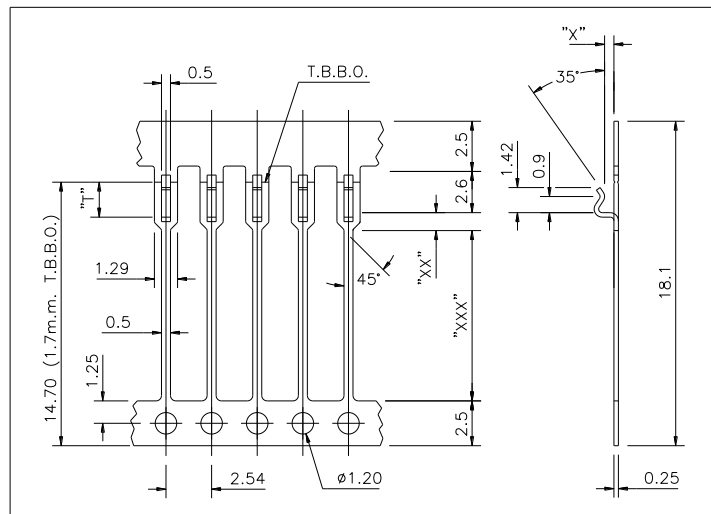
BA 4180 Series



All Dimensions in mm

Ordering Information						Technical Information						
Part Number	Top Bar Dim T	Bottom Bar Dim B	Plating Code	Qty per Reel	Wind Style	Material Thickness	Substrate Size	Gap Size Dim X	Stand Off Dim XX	Pin Length Dim XXX	Clip Length	MOQ
BA4180	1.70 (UG)	none (BZ)	1A/4A	50K (F)	1 to 4	0.25	0.61-0.69	0.52	1.00	9.50	1.42	500,000

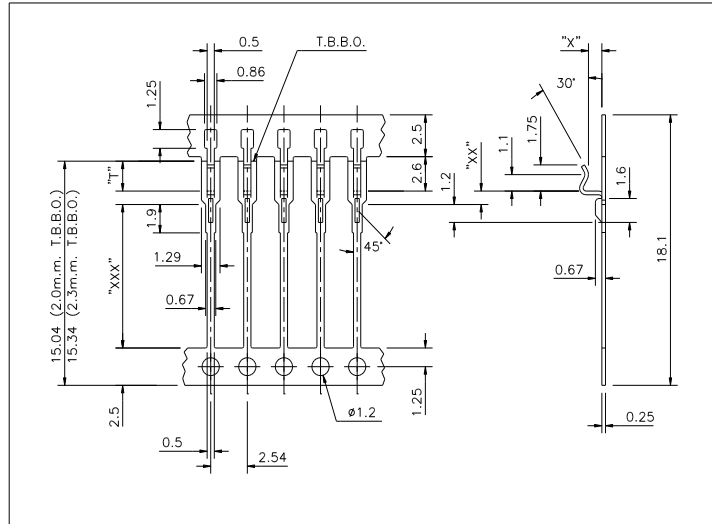
BA 4190 Series



All Dimensions in mm

Ordering Information						Technical Information						
Part Number	Top Bar Dim T	Bottom Bar Dim B	Plating Code	Qty per Reel	Wind Style	Material Thickness	Substrate Size	Gap Size Dim X	Stand Off Dim XX	Pin Length Dim XXX	Clip Length	MOQ
BA4190	1.70 (UG)	none (BZ)	1A/4A	50K (F)	1 to 4	0.25	0.61-0.69	0.52	0.80	9.70	1.42	500,000
BA4192	1.70 (UG)	none (BZ)	1A/4A	40K (E)	1 to 4	0.25	1.00-1.15	0.93	0.80	9.70	1.42	480,000

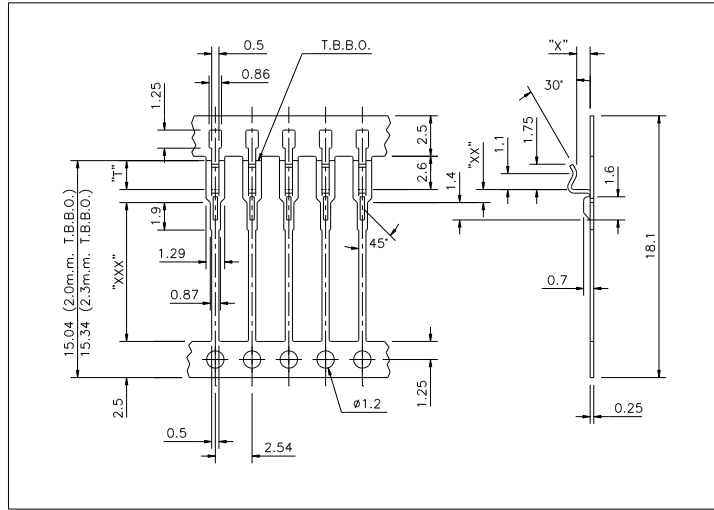
BA 4500 Series



All Dimensions in mm

Ordering Information						Technical Information						
Part Number	Top Bar Dim T	Bottom Bar Dim B	Plating Code	Qty per Reel	Wind Style	Material Thickness	Substrate Size	Gap Size Dim X	Stand Off Dim XX	Pin Length Dim XXX	Clip Length	MOQ
BA4500	2.00 (TA)	none (BZ)	1A / 4A	50K (F)	1 to 4	0.25	0.58-0.74	0.53	1.00	9.50	1.75	500,000
	2.30 (TJ)	none (BZ)	1A / 4A	50K (F)	1 to 4	0.25	0.58-0.74	0.53	1.00	9.50	1.75	500,000
BA4501	2.00 (TA)	none (BZ)	1A / 4A	40K (E)	1 to 4	0.25	0.75-0.90	0.70	1.00	9.50	1.75	480,000
	2.30 (TJ)	none (BZ)	1A / 4A	40K (E)	1 to 4	0.25	0.75-0.90	0.70	1.00	9.50	1.75	480,000
BA4502	2.00 (TA)	none (BZ)	1A / 4A	40K (E)	1 to 4	0.25	1.00-1.15	0.93	1.00	9.50	1.75	480,000
	2.30 (TJ)	none (BZ)	1A / 4A	40K (E)	1 to 4	0.25	1.00-1.15	0.93	1.00	9.50	1.75	480,000
BA4503	2.00 (TA)	none (BZ)	1A / 4A	40K (E)	1 to 4	0.25	1.24-1.40	1.18	1.00	9.50	1.75	480,000
	2.30 (TJ)	none (BZ)	1A / 4A	40K (E)	1 to 4	0.25	1.24-1.40	1.18	1.00	9.50	1.75	480,000

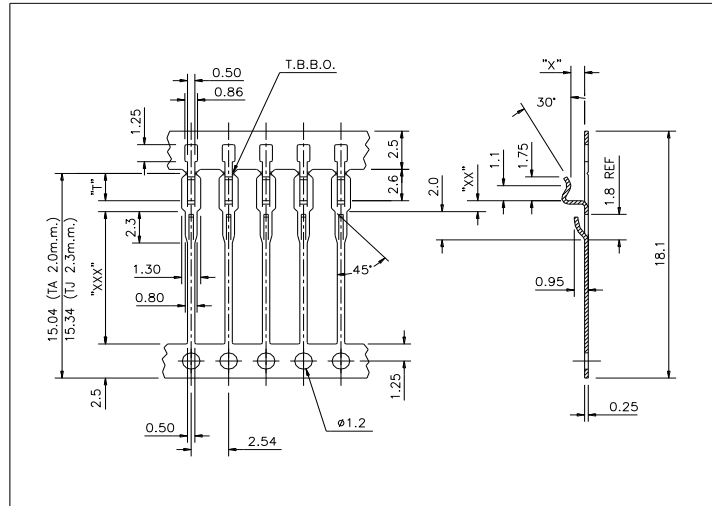
BA 4600 Series



All Dimensions in mm

Ordering Information						Technical Information						
Part Number	Top Bar Dim T	Bottom Bar Dim B	Plating Code	Qty per Reel	Wind Style	Material Thickness	Substrate Size	Gap Size Dim X	Stand Off Dim XX	Pin Length Dim XXX	Clip Length	MOQ
BA4600	2.00 (TA)	none (BZ)	1A / 4A	50K (F)	1 to 4	0.25	0.58-0.74	0.53	0.80	9.70	1.75	1 Reel
	2.30 (TJ)	none (BZ)	1A / 4A	50K (F)	1 to 4	0.25	0.58-0.74	0.53	0.80	9.70	1.75	1 Reel
	none (TZ)	none (BZ)	1A / 4A	50K (F)	1 to 4	0.25	0.58-0.74	0.53	0.80	9.70	1.75	1 Reel
BA4601	2.00 (TA)	none (BZ)	1A / 4A	40K (E)	1 to 4	0.25	0.75-0.90	0.70	0.80	9.70	1.75	480,000
	2.30 (TJ)	none (BZ)	1A / 4A	40K (E)	1 to 4	0.25	0.75-0.90	0.70	0.80	9.70	1.75	480,000
	none (TZ)	none (BZ)	1A / 4A	40K (E)	1 to 4	0.25	0.75-0.90	0.70	0.80	9.70	1.75	480,000
BA4602	2.00 (TA)	none (BZ)	1A / 4A	40K (E)	1 to 4	0.25	1.00-1.15	0.93	0.80	9.70	1.75	1 Reel
	2.30 (TJ)	none (BZ)	1A / 4A	40K (E)	1 to 4	0.25	1.00-1.15	0.93	0.80	9.70	1.75	1 Reel
	none (TZ)	none (BZ)	1A / 4A	40K (E)	1 to 4	0.25	1.00-1.15	0.93	0.80	9.70	1.75	1 Reel
BA4603	2.00 (TA)	none (BZ)	1A / 4A	40K (E)	1 to 4	0.25	1.24-1.40	1.18	0.80	9.70	1.75	480,000
	2.30 (TJ)	none (BZ)	1A / 4A	40K (E)	1 to 4	0.25	1.24-1.40	1.18	0.80	9.70	1.75	480,000
	none (TZ)	none (BZ)	1A / 4A	40K (E)	1 to 4	0.25	1.24-1.40	1.18	0.80	9.70	1.75	480,000

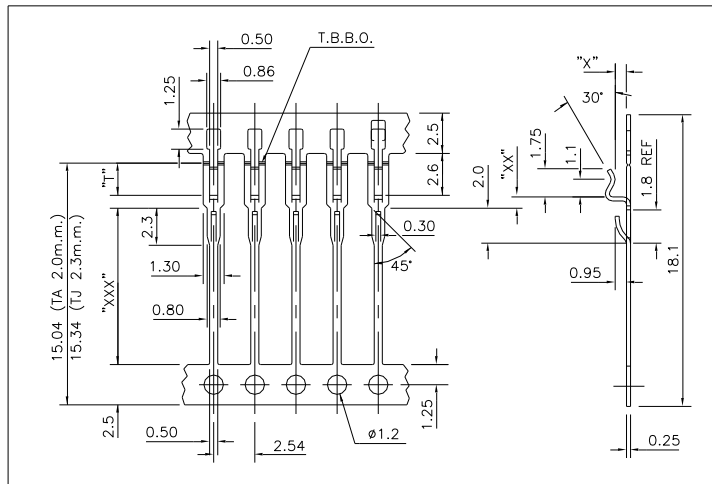
BA 4610 Series



All Dimensions in mm

Ordering Information						Technical Information						
Part Number	Top Bar Dim T	Bottom Bar Dim B	Plating Code	Qty per Reel	Wind Style	Material Thickness	Substrate Size	Gap Size Dim X	Stand Off Dim XX	Pin Length Dim XXX	Clip Length	MOQ
BA4610	2.30 (TJ)	none (BZ)	1A / 4A	50K (F)	1 to 4	0.25	0.58-0.74	0.53	0.80	9.70	1.75	1 Reel
	none (TZ)	none (BZ)	1A / 4A	50K (F)	1 to 4	0.25	0.58-0.74	0.53	0.80	9.70	1.75	1 Reel
BA4612	2.30 (TJ)	none (BZ)	1A / 4A	40K (E)	1 to 4	0.25	0.63-0.80	0.62	0.80	9.70	1.75	480,000
	none (TZ)	none (BZ)	1A / 4A	40K (E)	1 to 4	0.25	0.63-0.80	0.62	0.80	9.70	1.75	480,000
BA4613	2.30 (TJ)	none (BZ)	1A / 4A	40K (E)	1 to 4	0.25	1.00-1.15	0.93	0.80	9.70	1.75	480,000
	none (TZ)	none (BZ)	1A / 4A	40K (E)	1 to 4	0.25	1.00-1.15	0.93	0.80	9.70	1.75	480,000

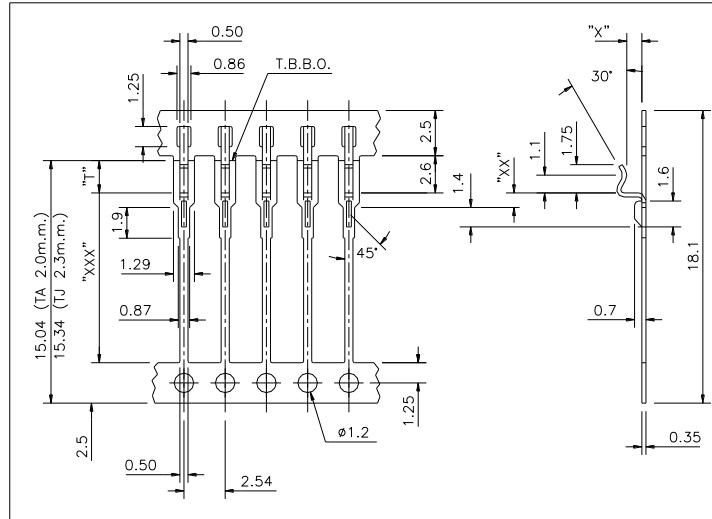
BA 4615 Series



All Dimensions in mm

Ordering Information						Technical Information						
Part Number	Top Bar Dim T	Bottom Bar Dim B	Plating Code	Qty per Reel	Wind Style	Material Thickness	Substrate Size	Gap Size Dim X	Stand Off Dim XX	Pin Length Dim XXX	Clip Length	MOQ
BA4615	2.00 (TA)	none (BZ)	1A / 4A	40K (E)	1 to 4	0.25	0.75-0.90	0.70	0.80	9.70	1.75	480,000
	2.30 (TJ)	none (BZ)	1A / 4A	40K (E)	1 to 4	0.25	0.75-0.90	0.70	0.80	9.70	1.75	480,000
	none (TZ)	none (BZ)	1A / 4A	40K (E)	1 to 4	0.25	0.75-0.90	0.70	0.80	9.70	1.75	480,000

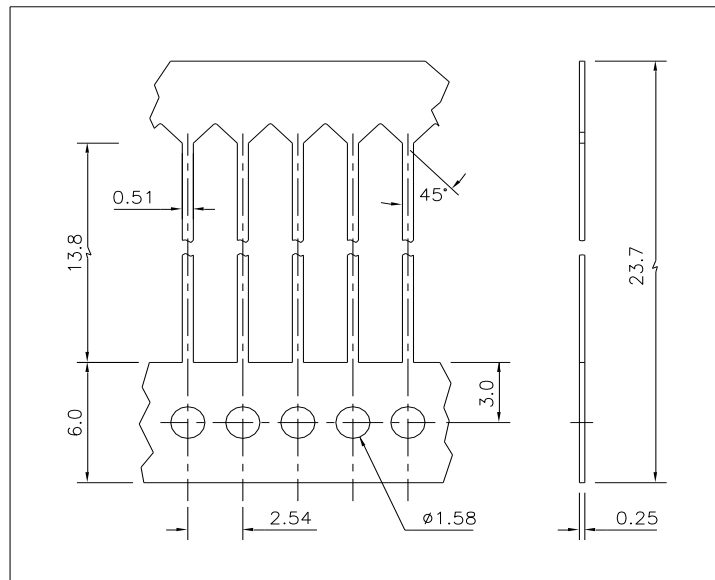
BA 4900 Series



All Dimensions in mm

Ordering Information						Technical Information						
Part Number	Top Bar Dim T	Bottom Bar Dim B	Plating Code	Qty per Reel	Wind Style	Material Thickness	Substrate Size	Gap Size Dim X	Stand Off Dim XX	Pin Length Dim XXX	Clip Length	MOQ
BA4900	2.00 (TA)	none (BZ)	1A / 4A	20K (A)	1 to 4	0.35	2.46-2.59	2.39	0.90	9.70	1.75	480,000
	2.30 (TJ)	none (BZ)	1A / 4A	20K (A)	1 to 4	0.35	2.46-2.59	2.39	0.90	9.70	1.75	480,000
BA4901	2.00 (TA)	none (BZ)	1A / 4A	40K (E)	1 to 4	0.35	1.00-1.15	0.93	0.90	9.70	1.75	480,000
	2.30 (TJ)	none (BZ)	1A / 4A	40K (E)	1 to 4	0.35	1.00-1.15	0.93	0.90	9.70	1.75	480,000
BA4902	2.00 (TA)	none (BZ)	1A / 4A	35K (D)	1 to 4	0.35	1.50-1.65	1.42	0.90	9.70	1.75	490,000

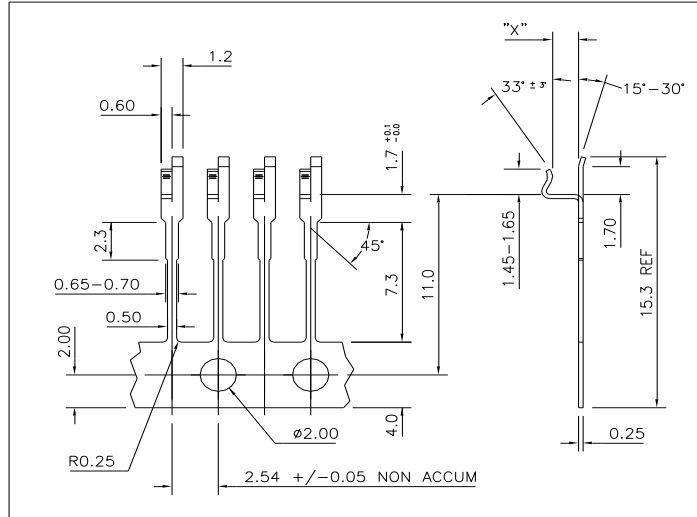
BA 5020 Series



All Dimensions in mm

Ordering Information						Technical Information						
Part Number	Top Bar Dim T	Bottom Bar Dim B	Plating Code	Qty per Reel	Wind Style	Material Thickness	Substrate Size	Gap Size Dim X	Stand Off Dim XX	Pin Length Dim XXX	Clip Length	MOQ
BA5020	none (TZ)	none (BZ)	4A	100K (H)	1 to 4	0.25	N/A	N/A	N/A	13.80	N/A	500,000

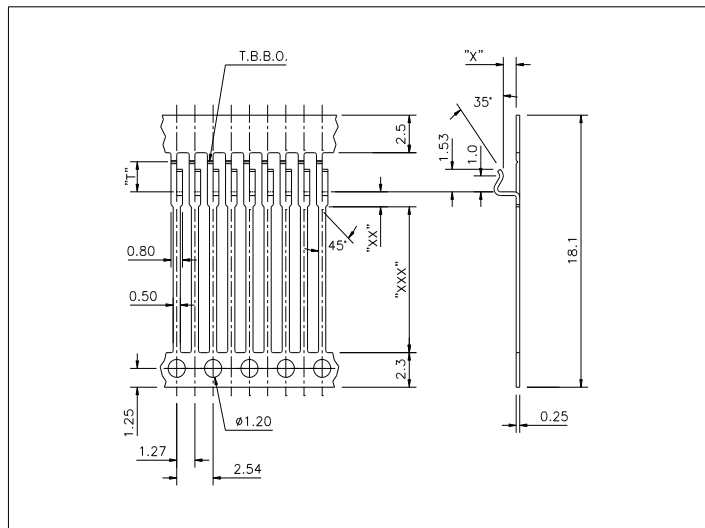
BA 5200 Series



All Dimensions in mm

Ordering Information						Technical Information						
Part Number	Top Bar Dim T	Bottom Bar Dim B	Plating Code	Qty per Reel	Wind Style	Material Thickness	Substrate Size	Gap Size Dim X	Stand Off Dim XX	Pin Length Dim XXX	Clip Length	MOQ
BA5200	none (TZ)	none (BZ)	4A	50K (F)	1 to 4	0.25	0.62-0.70	0.54	1.70	7.30	1.55	500,000
BA5201	none (TZ)	none (BZ)	4A	50K (F)	1 to 4	0.25	1.47-1.55	1.42	1.70	7.30	1.55	500,000

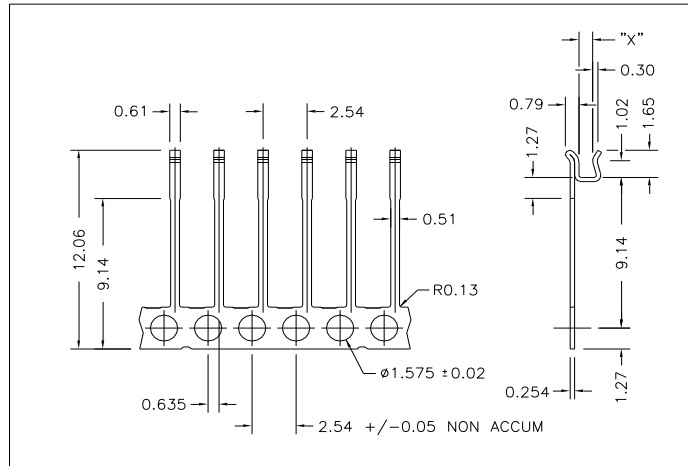
BA 6200 Series



All Dimensions in mm

Ordering Information						Technical Information						
Part Number	Top Bar Dim T	Bottom Bar Dim B	Plating Code	Qty per Reel	Wind Style	Material Thickness	Substrate Size	Gap Size Dim X	Stand Off Dim XX	Pin Length Dim XXX	Clip Length	MOQ
BA6200	2.00 (TA)	none (BZ)	4A	100K (H)	1 to 4	0.25	0.58-0.74	0.53	1.00	9.70	1.53	500,000
BA6201	2.00 (TA)	none (BZ)	4A	80K (G)	1 to 4	0.25	1.00-1.15	0.88	1.00	9.70	1.53	480,000

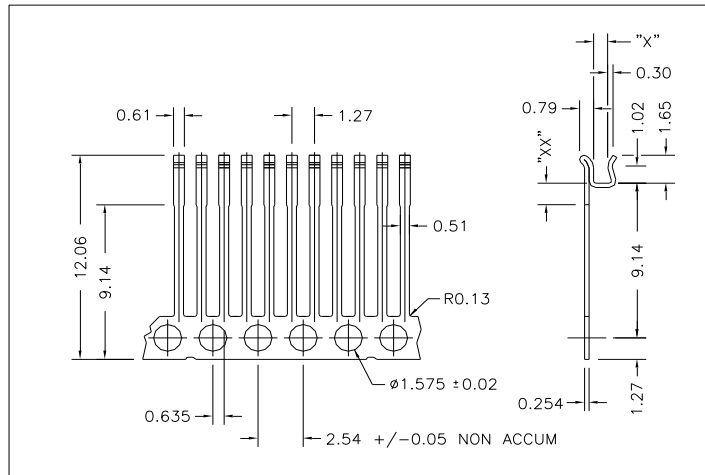
BA 6440 Series



All Dimensions in mm

Ordering Information						Technical Information						
Part Number	Top Bar Dim T	Bottom Bar Dim B	Plating Code	Qty per Reel	Wind Style	Material Thickness	Substrate Size	Gap Size Dim X	Stand Off Dim XX	Pin Length Dim XXX	Clip Length	MOQ
BA6440	none (TZ)	none (BZ)	4A	40K (E)	1 to 4	0.25	2.46-2.59	2.39	0.90	9.70	1.75	480,000
	none (TZ)	none (BZ)	Z	40K (E)	1 to 4	0.25	2.46-2.59	2.39	0.90	9.70	1.75	480,000

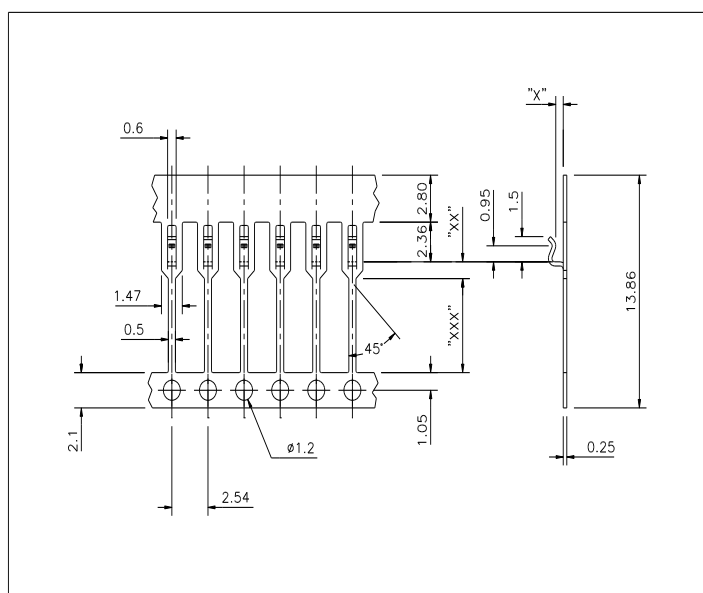
BA 6460 Series



All Dimensions in mm

Ordering Information						Technical Information						
Part Number	Top Bar Dim T	Bottom Bar Dim B	Plating Code	Qty per Reel	Wind Style	Material Thickness	Substrate Size	Gap Size Dim X	Stand Off Dim XX	Pin Length Dim XXX	Clip Length	MOQ
BA6460	none (TZ)	none (BZ)	4A	80K (G)	1 to 4	0.25	0.89-1.05	0.79	1.27	N/A	1.65	480,000
	none (TZ)	none (BZ)	Z	80K (G)	1 to 4	0.25	0.89-1.05	0.79	1.27	N/A	1.65	480,000

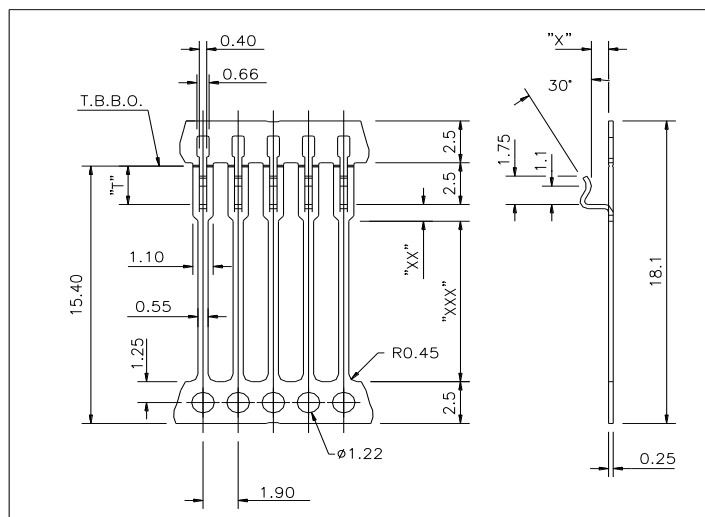
BA 7000 Series



All Dimensions in mm

Ordering Information						Technical Information						
Part Number	Top Bar Dim T	Bottom Bar Dim B	Plating Code	Qty per Reel	Wind Style	Material Thickness	Substrate Size	Gap Size Dim X	Stand Off Dim XX	Pin Length Dim XXX	Clip Length	MOQ
BA7000	none (TZ)	none (BZ)	1A	50K (F)	1 to 4	0.25	0.62-0.70	0.53	1.00	5.60	1.50	500,000

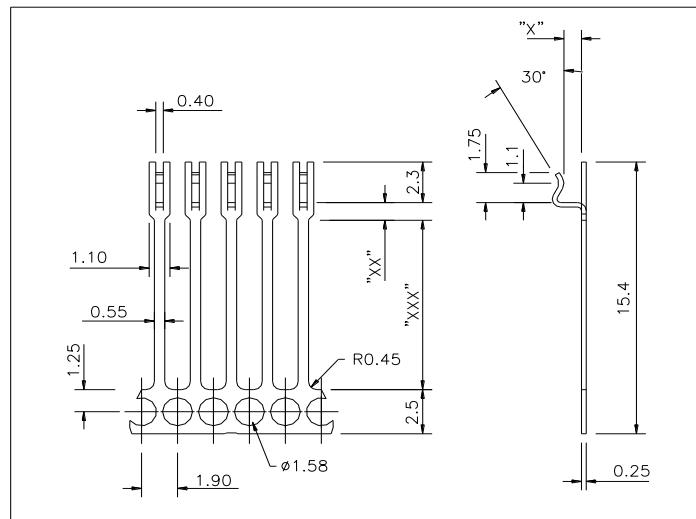
BA 7200 Series



All Dimensions in mm

Ordering Information						Technical Information						
Part Number	Top Bar Dim T	Bottom Bar Dim B	Plating Code	Qty per Reel	Wind Style	Material Thickness	Substrate Size	Gap Size Dim X	Stand Off Dim XX	Pin Length Dim XXX	Clip Length	MOQ
BA7200	2.30 (TJ)	none (BZ)	4A	75K (K)	1 to 4	0.25	0.62-0.70	0.53	1.00	9.60	1.75	525,000
BA7202	2.30 (TJ)	none (BZ)	4A	60K (J)	1 to 4	0.25	1.00-1.08	0.93	1.00	9.60	1.75	480,000

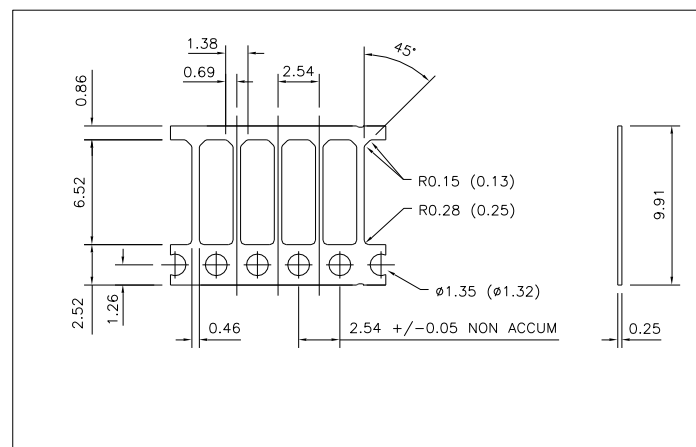
BA 7210 Series



All Dimensions in mm

Ordering Information						Technical Information						
Part Number	Top Bar Dim T	Bottom Bar Dim B	Plating Code	Qty per Reel	Wind Style	Material Thickness	Substrate Size	Gap Size Dim X	Stand Off Dim XX	Pin Length Dim XXX	Clip Length	MOQ
BA7210	none (TZ)	none (BZ)	4A	75K (K)	1 to 4	0.25	0.62-0.70	0.53	1.00	9.60	1.75	525,000
BA7212	none (TZ)	none (BZ)	4A	60K (J)	1 to 4	0.25	1.00-1.08	0.93	1.00	9.60	1.75	480,000

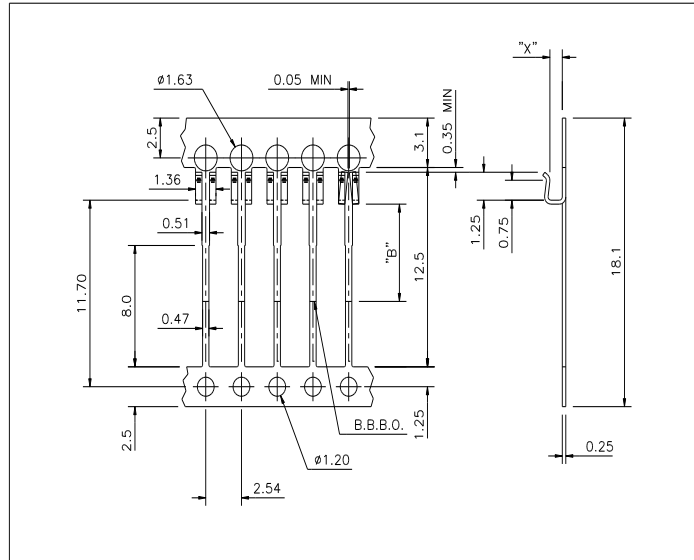
BA 7300 Series



All Dimensions in mm

Ordering Information						Technical Information						
Part Number	Top Bar Dim T	Bottom Bar Dim B	Plating Code	Qty per Reel	Wind Style	Material Thickness	Substrate Size	Gap Size Dim X	Stand Off Dim XX	Pin Length Dim XXX	Clip Length	MOQ
BA7300	none (TZ)	none (BZ)	4A	160K (M)	1 to 4	0.25	N/A	N/A	N/A	5.80	N/A	800,000
	none (TZ)	none (BZ)	Z	160K (M)	1 to 4	0.25	N/A	N/A	N/A	5.80	N/A	800,000

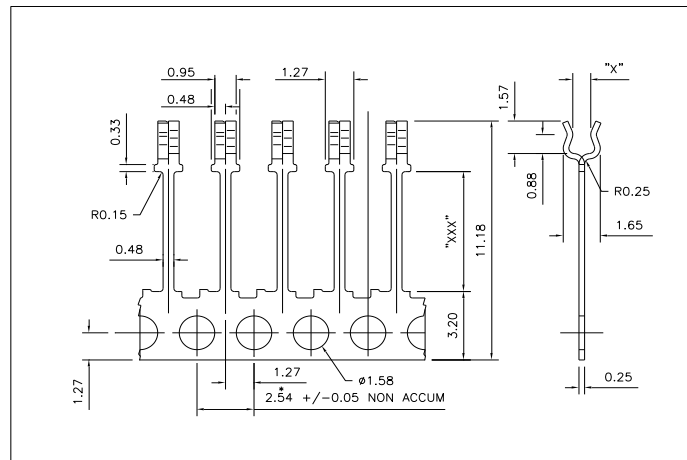
BA 9200 Series



All Dimensions in mm

Ordering Information						Technical Information						
Part Number	Top Bar Dim T	Bottom Bar Dim B	Plating Code	Qty per Reel	Wind Style	Material Thickness	Substrate Size	Gap Size Dim X	Stand Off Dim XX	Pin Length Dim XXX	Clip Length	MOQ
BA9200	none (TZ)	none (BZ)	1A / 4A	50K (F)	1 to 4	0.25	0.62-0.70	0.53	0.80	9.70	1.75	500,000
	none (TZ)	4.00 (BF)	1A / 4A	50K (F)	1 to 4	0.25	0.62-0.70	0.53	0.80	9.70	1.75	500,000
	none (TZ)	6.10 (BG)	1A / 4A	50K (F)	1 to 4	0.25	0.62-0.70	0.53	0.80	9.70	1.75	500,000

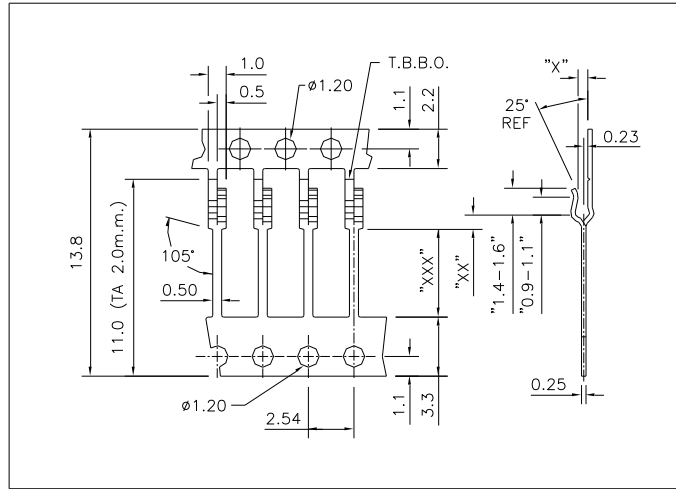
BA 5600 Series



All Dimensions in mm

Ordering Information						Technical Information						
Part Number	Top Bar Dim T	Bottom Bar Dim B	Plating Code	Qty per Reel	Wind Style	Material Thickness	Substrate Size	Gap Size Dim X	Stand Off Dim XX	Pin Length Dim XXX	Clip Length	MOQ
BA5600	none (TZ)	none (BZ)	4A	50K (F)	1 to 4	0.25	0.62-0.71	0.56	0.95	5.61	1.52	500,000
BA5601	none (TZ)	none (BZ)	4A	50K (F)	1 to 4	0.25	0.89-0.97	0.80	0.95	5.61	1.52	None

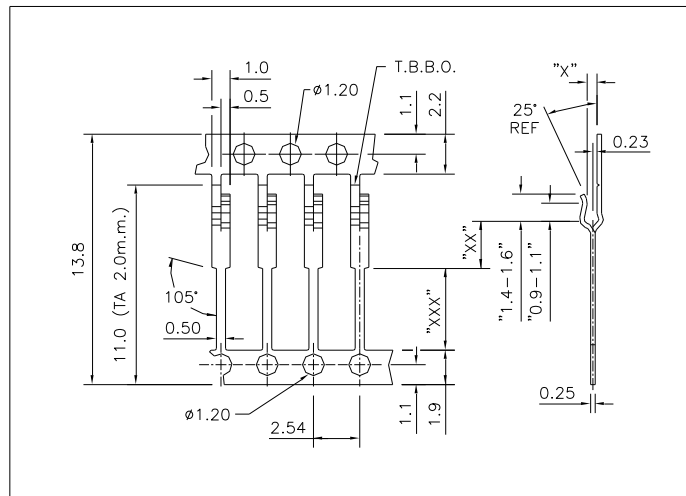
BA 5810 Series



All Dimensions in mm

Ordering Information						Technical Information						
Part Number	Top Bar Dim T	Bottom Bar Dim B	Plating Code	Qty per Reel	Wind Style	Material Thickness	Substrate Size	Gap Size Dim X	Stand Off Dim XX	Pin Length Dim XXX	Clip Length	MOQ
BA5810	2.00 (TA)	none (BZ)	4A	50K (F)	1 to 4	0.25	0.62-0.70	0.53	1.10	4.50	1.50	500,000
	none (TZ)	none (BZ)	4A	50K (F)	1 to 4	0.25	0.62-0.70	0.53	1.10	4.50	1.50	500,000
	1.85 (UH)	none (BZ)	4A	50K (F)	1 to 4	0.25	0.62-0.70	0.53	1.10	4.50	1.50	500,000

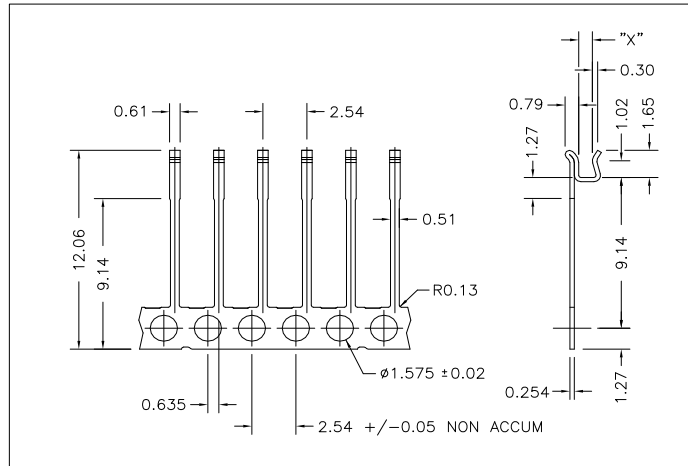
BA 5820 Series



All Dimensions in mm

Ordering Information						Technical Information						
Part Number	Top Bar Dim T	Bottom Bar Dim B	Plating Code	Qty per Reel	Wind Style	Material Thickness	Substrate Size	Gap Size Dim X	Stand Off Dim XX	Pin Length Dim XXX	Clip Length	MOQ
BA5820	2.00 (TA)	none (BZ)	4A	50K (F)	1 to 4	0.25	0.62-0.70	0.53	2.50	4.50	1.50	500,000
	none (TZ)	none (BZ)	4A	50K (F)	1 to 4	0.25	0.62-0.70	0.53	2.50	4.50	1.50	500,000
	1.85 (UH)	none (BZ)	4A	50K (F)	1 to 4	0.25	0.62-0.70	0.53	2.50	4.50	1.50	500,000

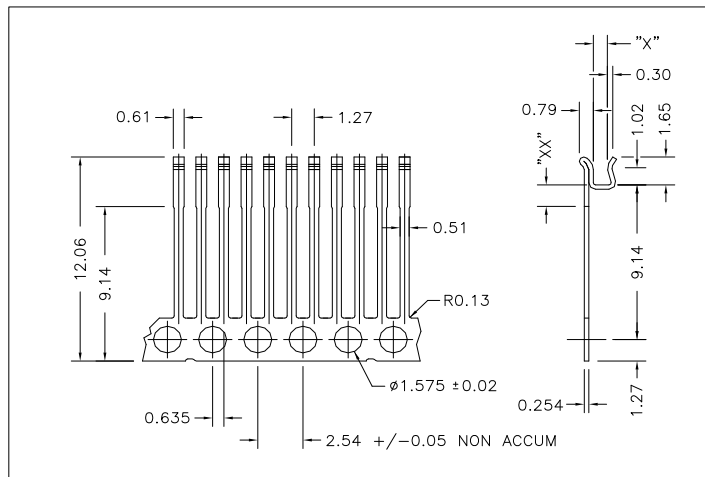
BA 6440 Series



All Dimensions in mm

Ordering Information						Technical Information						
Part Number	Top Bar Dim T	Bottom Bar Dim B	Plating Code	Qty per Reel	Wind Style	Material Thickness	Substrate Size	Gap Size Dim X	Stand Off Dim XX	Pin Length Dim XXX	Clip Length	MOQ
BA6440	none (TZ)	none (BZ)	4A	40K (E)	1 to 4	0.25	2.46-2.59	2.39	0.90	9.70	1.75	480,000
	none (TZ)	none (BZ)	Z	40K (E)	1 to 4	0.25	2.46-2.59	2.39	0.90	9.70	1.75	480,000

BA 6460 Series



All Dimensions in mm

Ordering Information						Technical Information						
Part Number	Top Bar Dim T	Bottom Bar Dim B	Plating Code	Qty per Reel	Wind Style	Material Thickness	Substrate Size	Gap Size Dim X	Stand Off Dim XX	Pin Length Dim XXX	Clip Length	MOQ
BA6460	none (TZ)	none (BZ)	4A	80K (G)	1 to 4	0.25	0.89-1.05	0.79	1.27	N/A	1.65	480,000
	none (TZ)	none (BZ)	Z	80K (G)	1 to 4	0.25	0.89-1.05	0.79	1.27	N/A	1.65	480,000

Pre Plating Specification

Type of plating:	Hot Tin Dip
Plating Code:	1A = 100% Sn
Thickness:	3 to 7 Microns
Shelf life:	1 Year from date of despatch: Depending on storage conditions
Finish:	Bright
Melting Point:	232°C (Approx.)
Ageing Test:	Test to be performed in accordance with BS 2011 Test "Ta" <ol style="list-style-type: none">1) Accelerated ageing for 16 hours at 155°C2) Immersion in SM/NA flux for 5 seconds3) Immersion in solder at 250°C ±5°C for 5 seconds, No Dewetting Permissible
Hot Plate Test:	Place material on Hot Plate at 325°C minimum for a period of 20 seconds from melting point. Both sides of material to be inspected, Top side to be considered as test side. No Dewetting Permissible. Pin holes acceptable (Areas less than 0.125mm) Maximum of 20 per 50mm ² area



Post Plating Specification

Type of plating: Electroplated

Plating Code: 4 to 8 Microns Pure Tin, Matt Finish (Non Reflow)

4A – Pure Tin

4B – Nickel flash under Pure Tin

4C – 0.25 Micron Min Nickel under Pure Tin

The Nickel Flash is believed to reduce the risk of Tin whiskers forming, but can cause the tin to discolour during the reflow process. The discolouration does not affect the solderability.

The advantage of post plating over pre plating is that there are no bare edges and therefore a better solder joint should be achieved.

Other plating specifications on request include 4 to 8 Microns 60/40 Tin/Lead for RoHS exempt products Designation "2A"

Shelf life: 1 Year from date of despatch: Depending on storage conditions

Melting Point: Pure Sn 231.9°C

Ageing Test: Test to be performed in accordance with BS 2011: Part 2.1T:1981 Method 1, ageing 3.

- 1) Accelerated ageing for 16 hours at 155°C
- 2) Immersion in non-activated flux for 5 seconds
- 3) Immersion in solder at 235°C ±5°C for 5 seconds,

The dipped surface shall be covered with a smooth bright solder coating with nor more than small amounts of scattered imperfections such as pin holes and dewetting. Within the significant surface these imperfections shall not exceed 5% of the area.



Base Material Specification

Material Designation	Alloy:	Copper Tin (Phosphor Bronze)	
	DIN		CuSn6
	Designation		2.1020
	UNS		C51900
	BS		PB103
	NF		CuSN6P
Composition (nominal)	Weight Percentage		Cu 94
			Sn 6
Physical Properties (nominal)	Electric	$m/\Omega mm^2$	9.0
	Conductivity	% IACS	15
	Thermal	W/m K	75
	Conductivity		
	Coefficient	$10^{-6}/K$	18.5
	Elastic Modulus	KN/mm ²	118
	Density	g/cm ³	8.8