

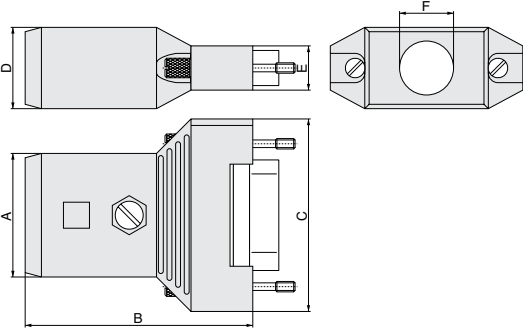
Material Thermoplast UL94V-0  
 Operating temperature -40°C to +105°C

max. pincount  
**037**

All dimensions in mm.

Variation

Hood



1

no. of contacts	see figure left	see figure left	see figure left	see figure left	see figure left	see figure left
n	A	B	C	D	E	F
009	11,2	35,0	22,0	10,0	6,8	6,0
015	15,0	35,0	25,8	12,0	6,8	7,0
021	19,0	35,0	29,6	12,5	6,8	8,3
025	21,4	35,0	32,2	13,0	6,8	9,0
031	25,2	35,0	36,0	15,0	6,8	9,8
037	29,0	35,0	39,8	15,0	6,8	10,3

Variation

No. of contacts



www.mpe-connector.de

Order code:

389-1-???-ZS0