



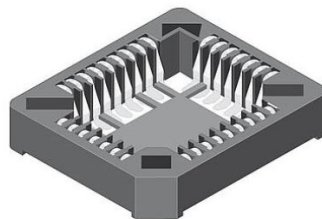
MPE-Garry GmbH
Schäfflerstraße 13
87629 Füssen
Germany
Tel: +49 (0) 83 62 / 91 56-0
Fax: +49 (0) 83 62 / 91 56-500
vk@mpe-connector.de

Product Change Notification(PCN)

Issue Date: 09.12.2021
Modification / Revision Date: 07.12.2021

Series 082-1

PLCC-SMD Socket 1,27 mm Series 082 Variant 1



Change Notification: 20211209 - 082-1

Description of changes: Change of outer Dimensions

Date of change and Implementation: Change: 07.12.2021
Implementation: 01.01.2022

Key Characteristics of Change: Change of outer dimensions A and B

Products Affected: Series 082-1

Reason for Change: tool revision

Response : Response to this notification is required.

PCN Revision History:

Date of Revision: 07.12.2021

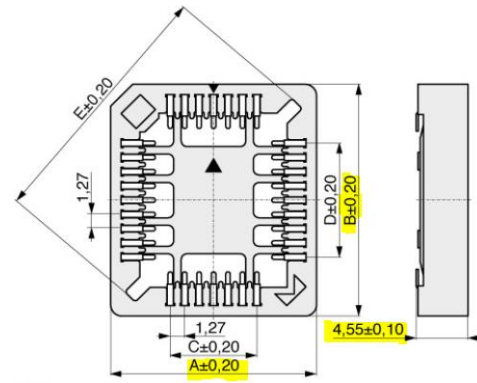
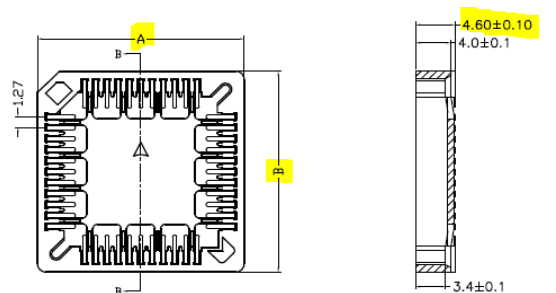
Revision Number: 00

page 1 / 2

MPE-Garry GmbH
 Schäfflerstraße 13
 87629 Füssen
 Germany
 Tel: +49 (0) 83 62 / 91 56-0
 Fax: +49 (0) 83 62 / 91 56-500
 vk@mpe-connector.de

Product Change Notification(PCN)

Issue Date: **09.12.2021**
 Modification / Revision Date: **07.12.2021**

Old version			New version		
see dimensions A, B and 4,55			see dimensions A, B and 4,60 tolerances for A and B is +/-0,20		
					
Pincount	A	B	Pincount	A	B
20	15,24	15,24	20	15,65	15,65
28	17,78	17,78	28	18,16	18,16
32	17,78	20,32	32	18,15	20,65
44	22,86	22,86	44	23,27	23,27
68	30,82	30,82	68	30,89	30,89
84	35,90	35,90	84	35,97	35,97

PCN Revision History:

Date of Revision: 07.12.2021

Revision Number: 00

page 2 / 2